

MODEL NUMBER 10T24-S30

ITEM NO.	PART DESCRIPTION	PART NUMBER	QUAN.
1	SUPPORT PIN 1 DIA. X 8 1/4 LG.	5413-0000	4
2	MAIN LEG BRACKET	6124-1	4
3	HEX. NUT 3/8-24NF	54-0100	8
4	SOC. SET SCREW 3/8-24NF X 1 3/4 LG.	63-0110	8
5	SUPPORT PIN 3/4 DIA. X 6 1/4 LG.	5129-0001	4
6	SPACER BAR 33 5/8 LG.	5307-3363	2
7	BRACE LEG BRACKET	6124-2	4
8	I-BEAM STL. 24" X 30' LG. REINF.	1696-0301	1
9	KEY RING 2 1/4 DIA.	82-0030	16
10	CAUTION TAG No. 399	1969-RING	12
11	LOCK WASHER INT. TOOTH 3/4	58-0040	4
12	HEX. NUT 3/4-10NC	54-0040	4
13	TROLLEY STOP ANGLE	5131-0000	4
14	HEX. HD. BOLT 3/4-10NC X 2 1/2 LG.	51-0480	4
15	BRACE LEG	5135-0001	4
16	MAIN LEG ASSEMBLY	5106-0151	4
17	UPPER MAIN LEG	5155-0001	4
18	ROLL PIN 5/32 X 3/4 LG.	61-0300	4
19	LOAD PIN CASTING	5111-0000	4
20	EXTENSION SPRING	5117-0000	8
21	LOWER MAIN LEG	5157-0001	4
22	SAFETY STOP ASSEMBLY	5140-0000	4
23	CASTER FRAME ASSEMBLY	5107-0151	2
24	SAFETY CABLE ASS'Y 160" LG.	5028-0001	2
25	OUTER CASTER FRAME TUBE	5136-0001	2
26	CASTER FRAME ADJUSTMENT PIN	5139-0000	2
27	INNER CASTER FRAME TUBE	5137-0001	2
28	HEX. HD. BOLT 1/2-13NC X 3 1/2 LG.	51-0460	2
29	CASTER PLATE	5161-0000	4
30	LOWER MAIN LEG PIN 1 DIA. X 6 7/16 LG.	5018-0000	4
31	HEX. HD. BOLT 1/2-13NC X 5 LG.	51-0110	6
32	HEX. HD. BOLT 1/2-13NC X 1 3/4 LG.	51-0300	32
33	CASTER WHEEL 10" DIA.	47-0250	8
34	LOCK WASHER INT. TOOTH 1/2	58-0020	40
35	HEX. NUT 1/2-13NC	54-0050	40
36	COTTER PIN 1/4 X 2 LG.	60-0040	4



# Wallace Cranes Parts Location

Square Tube Tri-Adjustable 8 & 10 Ton

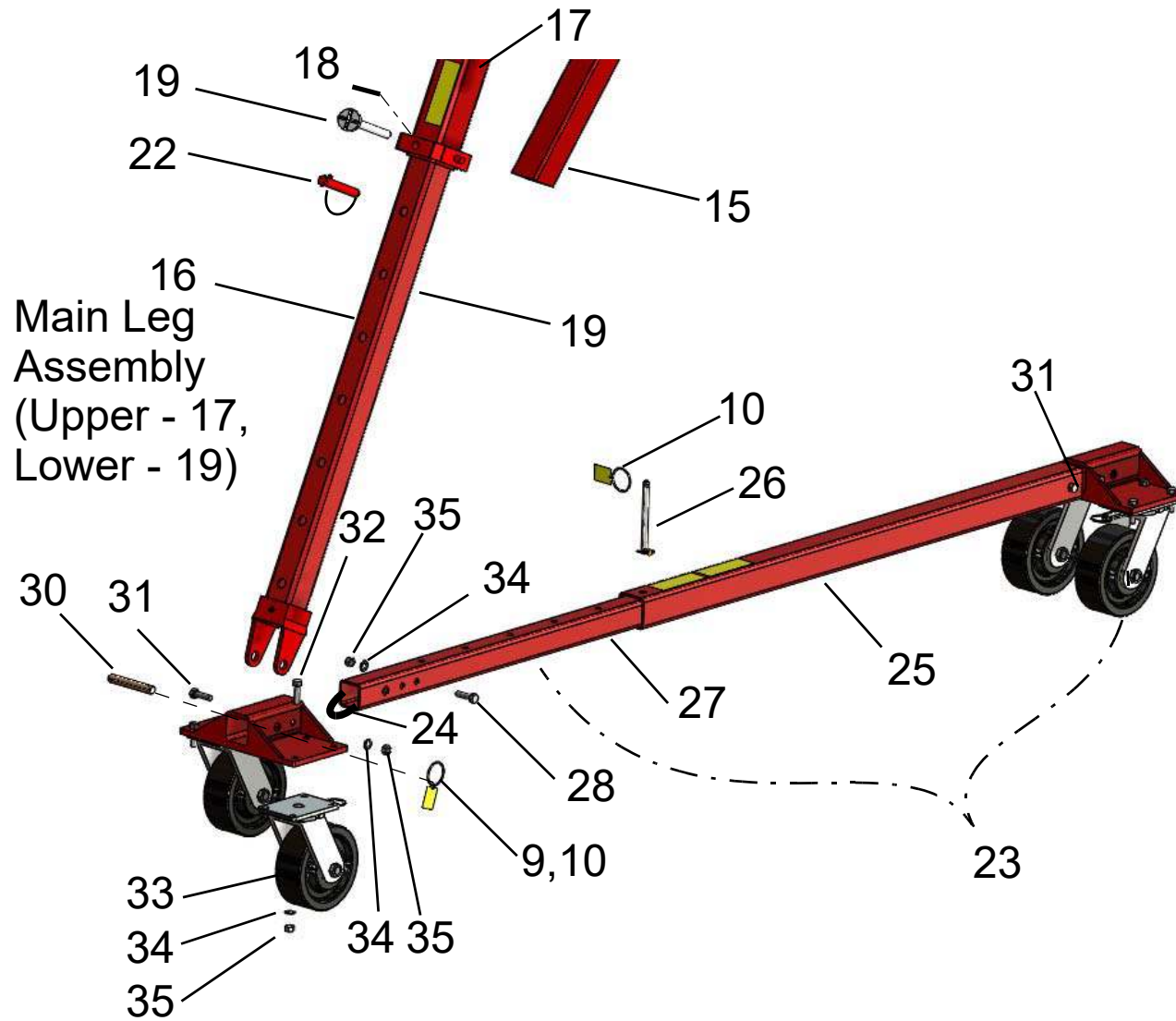


I-Beam  
Assembly  
Parts Location

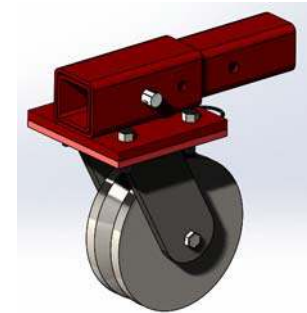
Wallace Cranes  
71 N Bacton Hill Rd.  
Malvern, PA 19355



[www.wallacecranes.com](http://www.wallacecranes.com)  
800-553-5438  
©2017 All rights reserved



Caster Frame  
Assembly  
Parts Location



Alternate  
V-Groove Caster  
Part No. 5141

Wallace Cranes  
71 N Bacton Hill Rd.  
Malvern, PA 19355

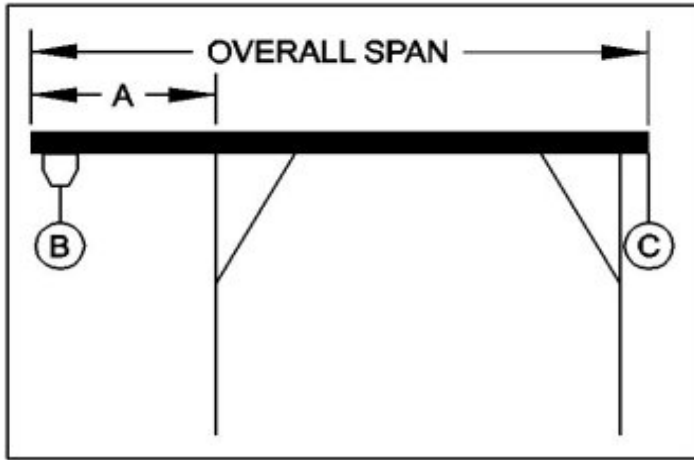


www.wallacecranes.com  
800-553-5438  
©2017 All rights reserved



## WALLACE CRANES PORTABLE CRANE CANTILEVER CHART

GANTRY MODEL NUMBER: 10T24-S30  
 I-BEAM: S24" X 79.9#/' X 30'R  
 I-BEAM LENGTH (OVERALL SPAN): 360 Inches  
 MAXIMUM CANTILEVER DISTANCE (A): 90 Inches  
 GANTRY RATED CAPACITY: 20,000 Lbs.  
 MAXIMUM CANTILEVERED LOAD (B): 12000 Lbs.  
 GANTRY WEIGHT: 5305 Lbs.  
 I-BEAM WEIGHT: 2781 Lbs.



**PROPER CANTILEVER PROCEDURES**  
 Required counterweight should not be supported by gantry caster frame.

Load and trolley should be able to freely traverse the I-beam through the main legs and brace legs of the gantry.

REQUIRED COUNTERWEIGHT AT [C]

A IN FEET	B 1500 LBS.	B 3000 LBS.	B 4500 LBS.	B 6000 LBS.	B 7500 LBS.	B 9000 LBS.	B 10500 LBS.	B 12000 LBS.
1	0	0	0	0	0	0	0	0
2	0	0	0	0	0	0	0	0
3	0	0	0	0	0	0	0	168
4	0	0	0	0	0	330	792	1253
5	0	0	0	25	625	1225	1825	2425
6	0	0	0	695	1445	2195	2945	3695
7	0	0	509	1422	2335	3248	4162	5075
7.5	0	0	811	1811	2811	3811	4811	5811