



## Liftruk Cranes

These cranes convert most forklift trucks into a mobile crane in seconds. Complete with hooks, safety latches, and safety chain for securing to fork truck.

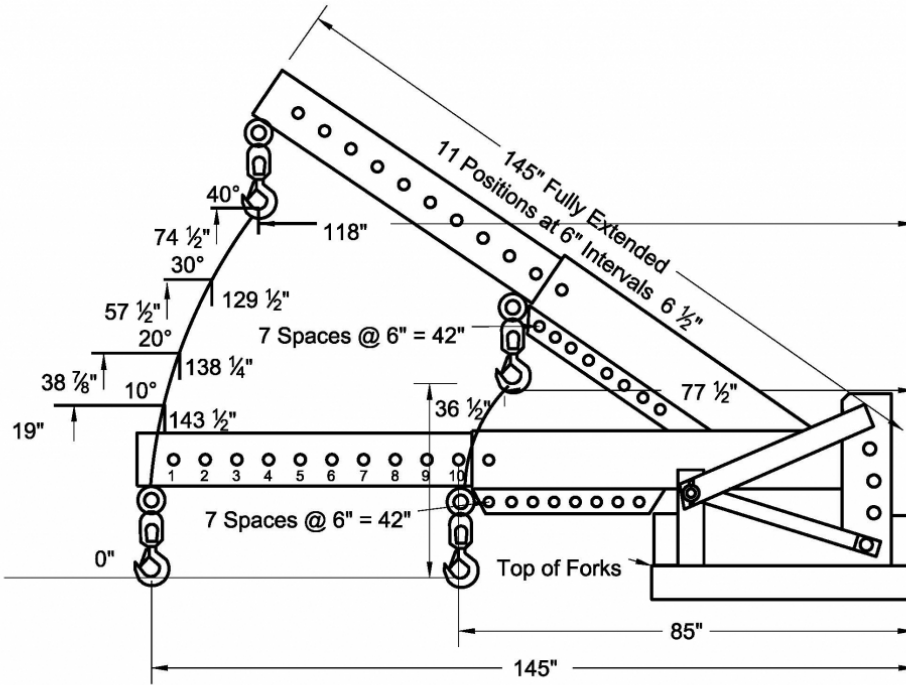
## Product Features

- Welded steel construction
- Capacities of 3,000 or 6,000 lb.
- Eleven boom positions available extending to 145"
- Pivot & Fixed Booms
  - Pivot Boom is adjustable for height and length
  - Fixed Boom is adjustable for length

## Crane Sizes and Model Numbers

Capacity	Model Number	Tine Center Dim.	Tine Sleeve Dim.W X H	Net Wt.
3000 Pivot Boom	30-TC14	14"	7.5" x 3.5"	464
	30-TC24	24"	7.5" x 3.5"	427
	30-TC30	30"	7.5" x 3.5"	525
	30-TC36	36"	7.5" x 3.5"	540
	30-TC42	42"	7.5" x 3.5"	555
6000 Pivot Boom	60-TC14	14"	7.5" x 3.5"	563
	60-TC24	24"	7.5" x 3.5"	584
	60-TC30	30"	7.5" x 3.5"	617
	60-TC36	36"	7.5" x 3.5"	677
	60-TC42	42"	7.5" x 3.5"	672
6000 Fixed Boom	60-FC14	14"	7.5" x 3.5"	472
	60-FC24	24"	7.5" x 3.5"	499
	60-FC30	30"	7.5" x 3.5"	518
	60-FC36	36"	7.5" x 3.5"	579
	60-FC42	42"	7.5" x 3.5"	595

Additional Hooks		
Capacity	Size	Net Wt.
<b>Model 30-ST4 Single Tine Lifting Hook</b>		
3,000 lbs.	2.5" x 4.5"	9 lbs.
<b>Model 40-DT29 Double Tine Lifting Hook</b>		
4,000 lbs.	29.5"	35 lbs.



Copyright © Wallace Cranes 2015. All Rights Reserved.

Click to enlarge

Hook	Forklift Truck Capacities											
	2000	3000	4000	5000	6000	7000	8000	9000	10000	12000	14000	16000
1	509	902	1294	1687	2080	2472	2865	3528	3650	4436	5221	6000
2	472	843	1213	1583	1654	2325	2695	3066	3435	4178	4919	5550
3	439	790	1141	1492	1842	2193	2544	2895	3246	3947	4649	5060
4	410	743	1076	1409	1742	2075	2407	2741	3074	3740	4406	4650
5	383	700	1017	1334	1651	1968	2285	2602	2919	3553	4187	4300
6	358	661	963	1266	1568	1871	2173	2476	2778	3383	3988	3990
7	336	625	915	1204	1493	1782	2071	2360	2650	3228	3725	3725
8	316	593	870	1147	1424	1701	1978	2255	2532	3086	3500	3500
9	297	563	829	1095	1360	1626	1892	2158	2424	2955	3285	3285
10	280	535	791	1046	1302	1557	1813	2068	2324	2835	3100	3100
11	264	510	750	1002	1249	1494	1740	1886	2232	2724	2900	2900
	<----- 3,000 lb. capacity ----->											
	<----- 6,000 lb. capacity ----->											