

1/25/2017

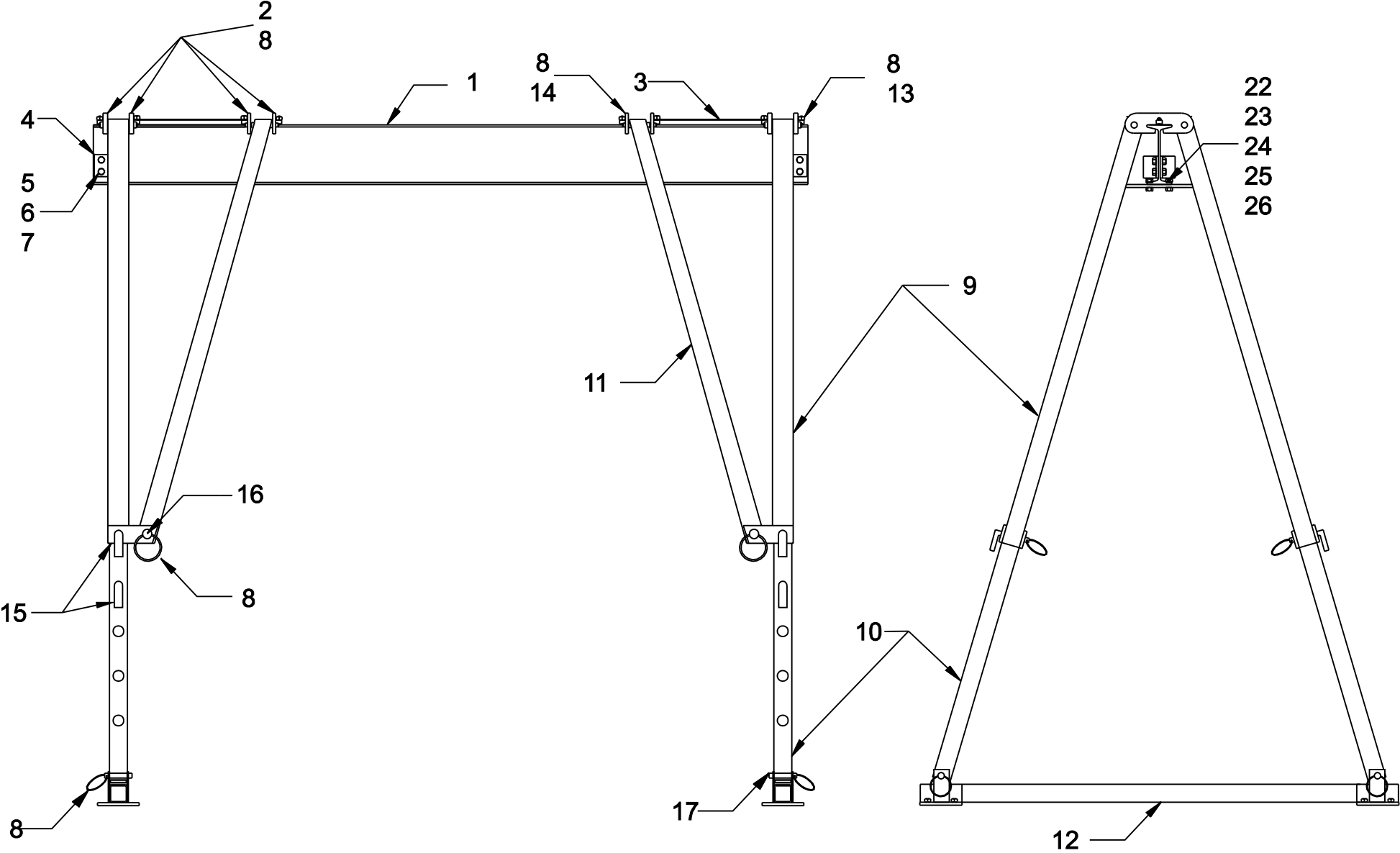
PARTS LIST
www.wallacecranes.com

MODEL NUMBER 10-08M-10

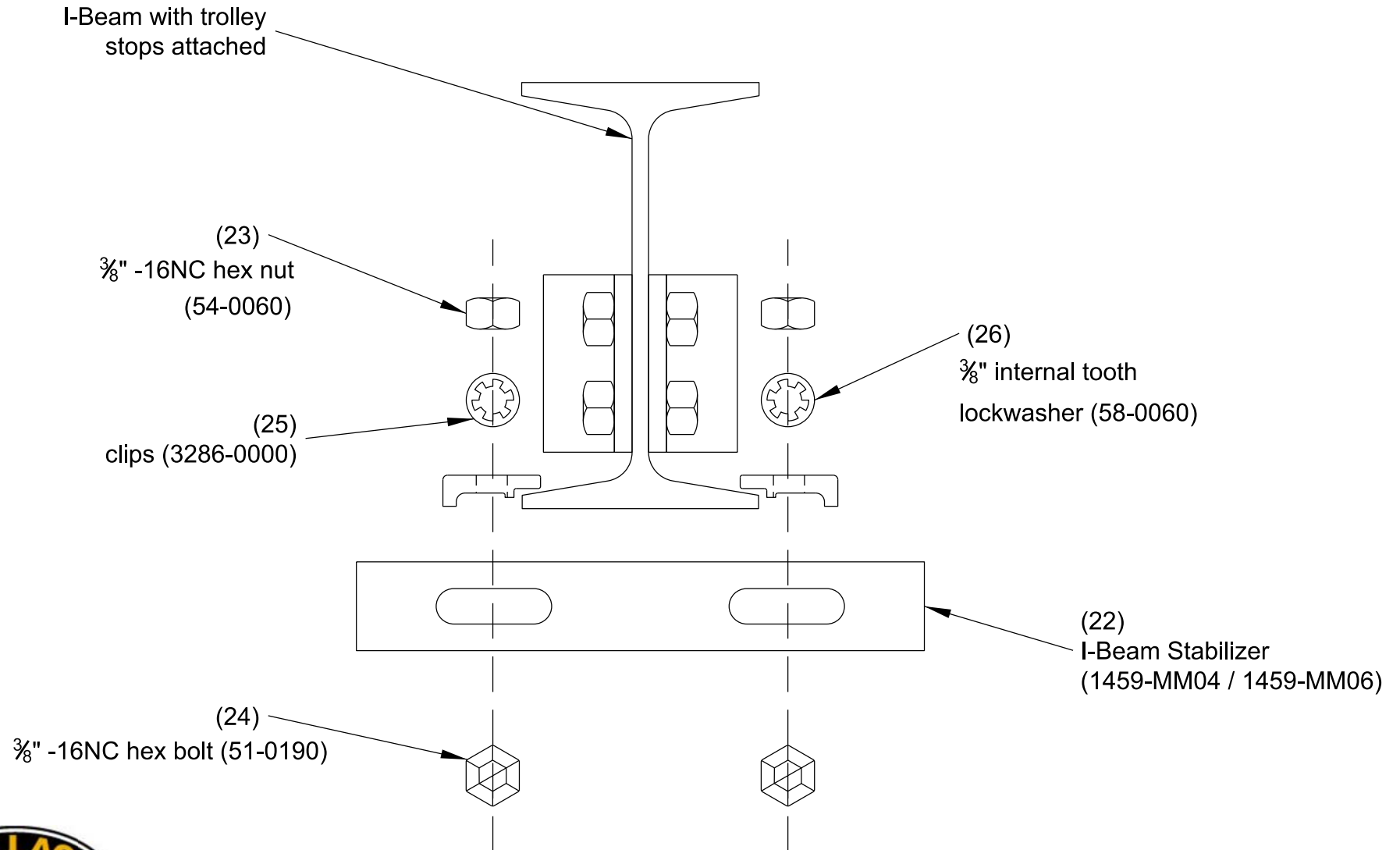
| ITEM NO. | PART DESCRIPTION | PART NUMBER | QUAN. |
|----------|---|--------------|-------|
| 1 | I-BEAM | 760-0100 | 1 |
| 2 | I-BEAM BRACKET ¹ | 6051-0600 | 8 |
| 3 | SPACE BAR | 1744-0009 | 2 |
| 4 | TROLLEY STOP ANGLE | 3464-0000 | 4 |
| 5 | TROLLEY STOP BOLT | 51-0480 | 4 |
| 6 | TROLLEY STOP NUT | 54-0040 | 4 |
| 7 | TROLLEY STOP LOCKWASHER | 58-0040 | 4 |
| 8 | SAFETY KEY RING & TAG ASS'Y | 82-0030-1969 | 26 |
| 9 | UPPER MAIN LEG 2" | 6055-0080 | 4 |
| 10 | LOWER MAIN LEG 1-3/4" | 6056-0080 | 4 |
| 11 | BRACE LEG 2" | 6053-0080 | 4 |
| 12 | CASTER FRAME 2" | 6052-0080 | 2 |
| 13 | MAIN LEG SUPPORT PIN 1/2" X 4" LG | 6060-0001 | 4 |
| 14 | BRACE LEG SUPPORT PIN 1/2" X 4-3/16 LG | 6060-0002 | 4 |
| 15 | LOAD PIN 1/2" DIA. | 6061-0000 | 8 |
| 16 | BRACE LEG PIN 1/2" X 3-1/2" LG | 6060-0003 | 4 |
| 17 | CASTER FRAME PIN 1/2" X 3-1/4" LG | 6060-0004 | 4 |
| 18 | SWIVEL CASTER | N/A | |
| 19 | CASTER BOLT 3/8"-16NC X 1-1/2" | N/A | |
| 20 | CASTER NUT 3/8"-16NC | N/A | |
| 21 | CASTER LOCKWASHER 3/8" | N/A | |
| 22 | I-BEAM STABILIZER | 1459-MM06 | 2 |
| 23 | I-BEAM STABILIZER NUT 3/8"-16NC | 54-0060 | 4 |
| 24 | I-BEAM STABILIZER BOLT 3/8"-16NC X 1-1/2" | 51-0190 | 4 |
| 25 | I-BEAM STABILIZER CLIP | 3286-0000 | 4 |
| 26 | I-BEAM STABILIZER LOCKWASHER 3/8" | 58-0060 | 4 |
| 27 | I-BEAM STABILIZER FLAT WASHER 3/8" | 56-0100 | 4 |

¹ = INCLUDES A SET SCREW (63-0100) & HEX NUT (54-0100)

Wallace Products Corp.
Mighty-Mite
Parts Location Diagram



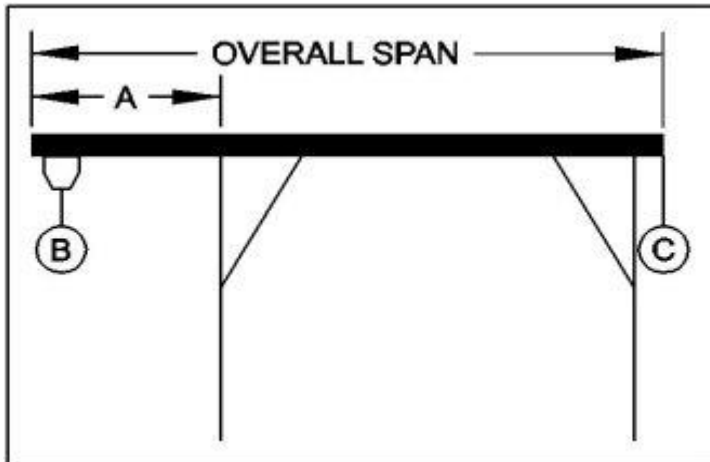
Wallace Cranes Mighty Mite I-Beam Stabilizer Parts Location Diagram





WALLACE CRANES PORTABLE CRANE CANTILEVER CHART

| | | |
|----------------------------------|--------------------|--|
| GANTRY MODEL NUMBER: | 10-08M-10 | |
| I-BEAM: | S6" X 12.5#/'X 10' | |
| I-BEAM LENGTH (OVERALL SPAN): | 120 Inches | |
| MAXIMUM CANTILEVER DISTANCE (A): | 30 Inches | |
| GANTRY RATED CAPACITY: | 1000 Lbs. | |
| MAXIMUM CANTILEVERED LOAD (B): | 600 Lbs. | |
| GANTRY WEIGHT: | 370 Lbs. | |
| I-BEAM WEIGHT: | 125 Lbs. | |



PROPER CANTILEVER PROCEDURES
 Required counterweight should not be supported by gantry caster frame.

Load and trolley should be able to freely traverse the I-beam through the main legs and brace legs of the gantry.

REQUIRED COUNTERWEIGHT AT [C]

| A | B | B | B | B | B | B |
|------|----------|----------|-----------|------------|------------|------------|
| IN | 100 | 200 | 300 | 400 | 500 | 600 |
| FEET | LBS. | LBS. | LBS. | LBS. | LBS. | LBS. |
| 1 | 0 | 0 | 0 | 0 | 0 | 0 |
| 2 | 0 | 0 | 0 | 30 | 80 | 130 |
| 2.5 | 0 | 0 | 35 | 102 | 169 | 235 |