

1/25/2017

PARTS LIST  
www.wallacecranes.com

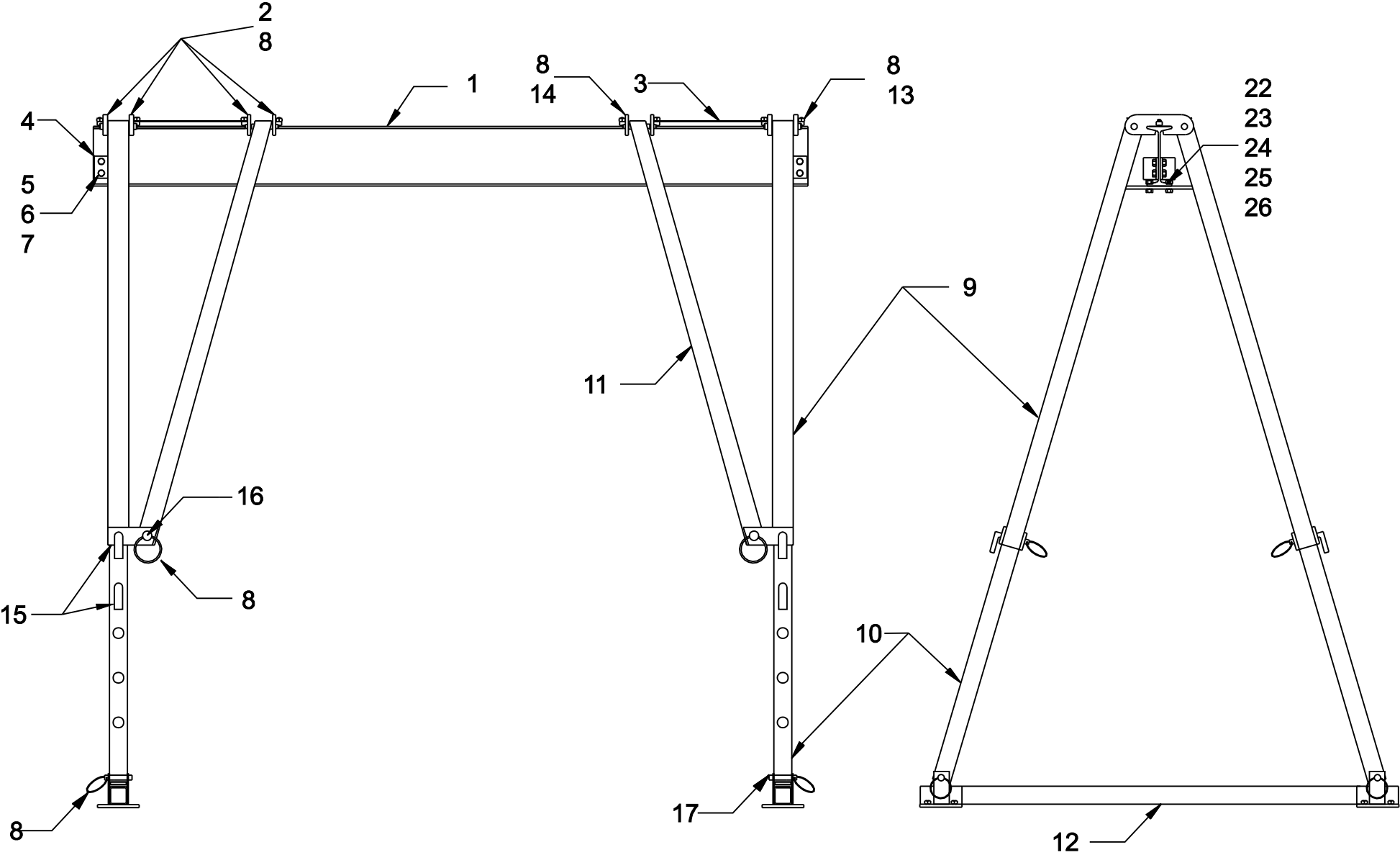
---

MODEL NUMBER 5-12M-8

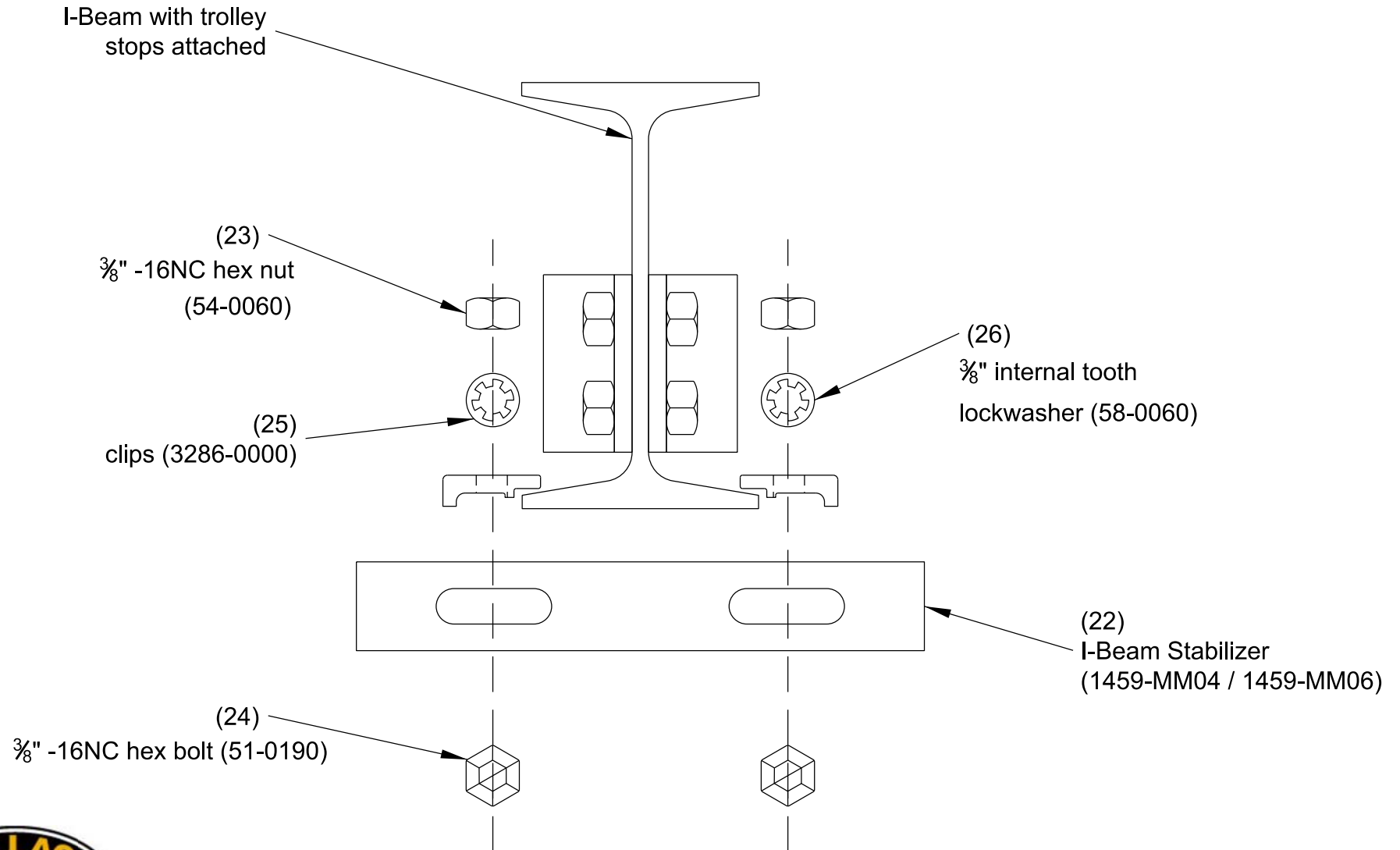
| ITEM NO. | PART DESCRIPTION                       | PART NUMBER  | QUAN. |
|----------|--|--------------|-------|
| 1        | I-BEAM                                 | 749-0080     | 1     |
| 2        | I-BEAM BRACKET <sup>1</sup>            | 6051-0400    | 8     |
| 3        | SPACE BAR                              | 1744-0011    | 2     |
| 4        | TROLLEY STOP ANGLE                     | 6054-0000    | 4     |
| 5        | TROLLEY STOP BOLT                      | 51-0095      | 4     |
| 6        | TROLLEY STOP NUT                       | 54-0080      | 4     |
| 7        | TROLLEY STOP LOCKWASHER                | 58-0080      | 4     |
| 8        | SAFETY KEY RING & TAG ASS'Y            | 82-0030-1969 | 26    |
| 9        | UPPER MAIN LEG 2"                      | 6055-0120    | 4     |
| 10       | LOWER MAIN LEG 1-3/4"                  | 6056-0120    | 4     |
| 11       | BRACE LEG 2"                           | 6053-0120    | 4     |
| 12       | CASTER FRAME 2"                        | 6052-0120    | 2     |
| 13       | MAIN LEG SUPPORT PIN 1/2" X 4" LG      | 6060-0001    | 4     |
| 14       | BRACE LEG SUPPORT PIN 1/2" X 4-3/16 LG | 6060-0002    | 4     |
| 15       | LOAD PIN 1/2" DIA.                     | 6061-0000    | 8     |
| 16       | BRACE LEG PIN 1/2" X 3-1/2" LG         | 6060-0003    | 4     |
| 17       | CASTER FRAME PIN 1/2" X 3-1/4" LG      | 6060-0004    | 4     |
| 18       | SWIVEL CASTER                          | N/A          |       |
| 19       | CASTER BOLT 3/8"-16NC X 1-1/2"         | N/A          |       |
| 20       | CASTER NUT 3/8"-16NC                   | N/A          |       |
| 21       | CASTER LOCKWASHER 3/8"                 | N/A          |       |
| 22       | I-BEAM STABILIZER                      | 1459-MM04    | 2     |
| 23       | I-BEAM STABILIZER NUT 3/8"-16NC        | 54-0060      | 4     |
| 24       | I-BEAM STABILIZER BOLT 3/8"-16NC X 1"  | 51-0190      | 4     |
| 25       | I-BEAM STABILIZER CLIP                 | 3286-0000    | 4     |
| 26       | I-BEAM STABILIZER LOCKWASHER 3/8"      | 58-0060      | 4     |

<sup>1</sup> = INCLUDES A SET SCREW (63-0100) & HEX NUT (54-0100)

Wallace Products Corp.  
Mighty-Mite  
Parts Location Diagram



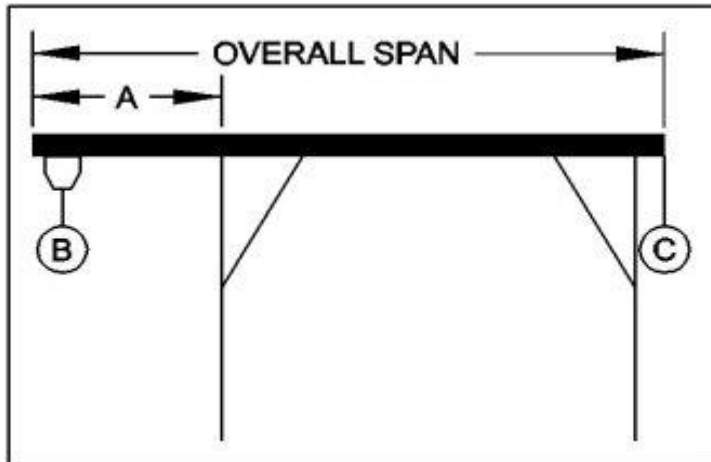
# Wallace Cranes Mighty Mite I-Beam Stabilizer Parts Location Diagram





## WALLACE CRANES PORTABLE CRANE CANTILEVER CHART

|                                  |                   |
|----------------------------------|-------------------|
| GANTRY MODEL NUMBER:             | 5-12M-8           |
| I-BEAM:                          | S4" X 7.7#/' X 8' |
| I-BEAM LENGTH (OVERALL SPAN):    | 96 Inches         |
| MAXIMUM CANTILEVER DISTANCE (A): | 24 Inches         |
| GANTRY RATED CAPACITY:           | 500 Lbs.          |
| MAXIMUM CANTILEVERED LOAD (B):   | 300 Lbs.          |
| GANTRY WEIGHT:                   | 343 Lbs.          |
| I-BEAM WEIGHT:                   | 64 Lbs.           |



**PROPER CANTILEVER PROCEDURES**  
Required counterweight should not be supported by gantry caster frame.

Load and trolley should be able to freely traverse the I-beam through the main legs and brace legs of the gantry.

### REQUIRED COUNTERWEIGHT AT [C]

| A    | B    | B    | B    |
|------|------|------|------|
| IN   | 100  | 200  | 300  |
| FEET | LBS. | LBS. | LBS. |
| 1    | 0    | 0    | 0    |
| 2    | 0    | 0    | 39   |