



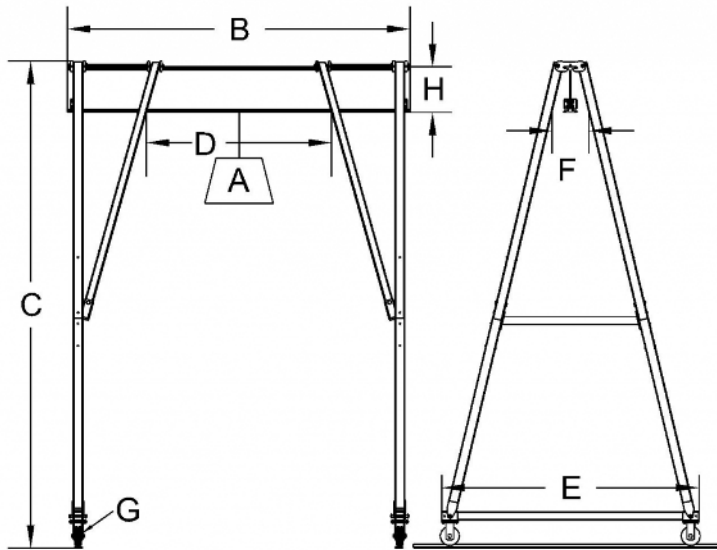
## 15 Ton Fixed Height Crane

The 15 Ton Fixed Height is our highest capacity Wallace Crane. This crane provides users with a high-capacity lifting solution and can be an economical alternative to a custom overhead system. This crane is sold only with V-groove casters and is designed to run on inverted angle-iron track. We strongly recommend that you consider adding a Power Drive unit for applications where you need to move the crane. Most of these cranes are customized for particular applications. Click on the accessories tab for more information regarding hoist, trolley, track and power drive options.

[15 Ton Assembly and Inspection Instructions](#)

### Product Features

- I-beam spans from 15' - 35'
- Fixed height and Caster Frame spread
  - Custom heights up to 23'
- Equipped with four 10" diameter steel V-grooved casters designed to run on angle-iron track



15 Ton Dimensional Sketch - [Click to enlarge](#)

## Crane Sizes and Model Numbers

A	B		C	D	E	F	G	H	
Capacity	Span	Model Number	Overall Height	Clear Span	Caster Frame Spread FIXED	Leg Clear.	Caster Dia.	I-Beam Depth	Ship Wt.
15 Tons	15'	15T15-15	15' 1"	8' 3"	8' 3"	19"	10"	24"	3360
		15T18-15	17' 11"	8' 3"	9' 9"	19"	10"	24"	3958
		15T21-15	21' 0"	8' 3"	11' 3"	19"	10"	24"	4142
		15T24-15	23' 10"	8' 3"	12' 9"	19"	10"	24"	4316
	20'	15T15-20	15' 1"	13' 3"	8' 3"	19"	10"	24"	3760
		15T18-20	17' 11"	13' 3"	9' 9"	19"	10"	24"	4358
		15T21-20	21' 0"	13' 3"	11' 3"	19"	10"	24"	4542
		15T24-20	23' 10"	13' 3"	12' 9"	19"	10"	24"	4716
	25'	15T15-25	15' 1"	18' 3"	8' 3"	19"	10"	24"*	4478
		15T18-25	17' 11"	18' 3"	9' 9"	19"	10"	24"*	5076
		15T21-25	21' 0"	18' 3"	11' 3"	19"	10"	24"*	5260
		15T24-25	23' 10"	18' 3"	12' 9"	19"	10"	24"*	5434
	30'	15T15-30	15' 1"	23' 3"	8' 3"	19"	10"	24"*	5381
		15T18-30	17' 11"	23' 3"	9' 9"	19"	10"	24"*	5979
		15T21-30	21' 0"	23' 3"	11' 3"	19"	10"	24"*	6163
		15T24-30	23' 10"	23' 3"	12' 9"	19"	10"	24"*	6337
	35'	15T15-35	15' 1"	23' 3"	8' 3"	20"	10"	24"*	6681
		15T18-35	17' 11"	23' 3"	9' 9"	20"	10"	24"*	7279
		15T21-35	21' 0"	23' 3"	11' 3"	20"	10"	24"*	7463
		15T24-35	23' 10"	23' 3"	12' 9"	20"	10"	24"*	7637

Notes: I-Beams may be cut to custom lengths at no additional charge. \* Denotes a Reinforced I-Beam.