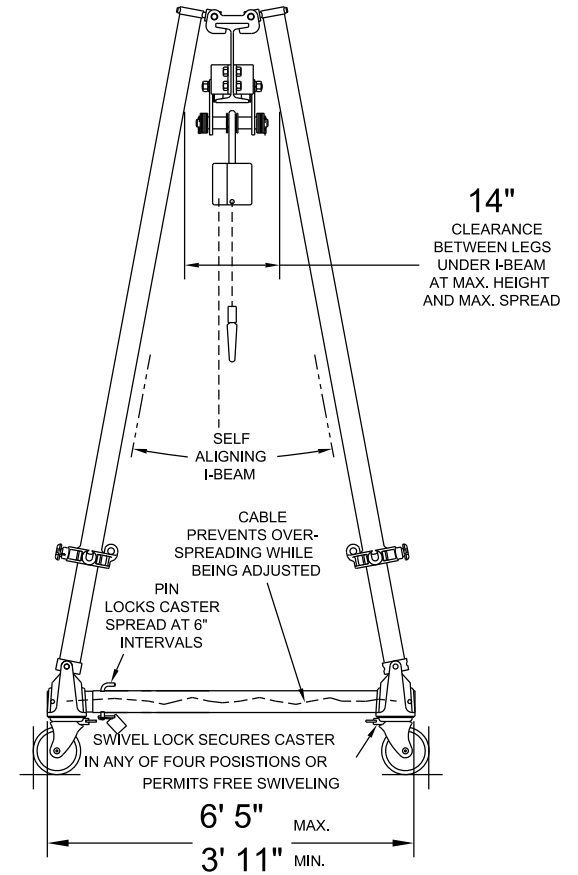


12"  
Alu.



Round Tube Aluminum Frames and Aluminum I-Beam

All Dimensions are  $\pm 1/2$ "

MODEL No. A6T10-A10

© Copyright Wallace Cranes 2017. All rights reserved.



UNLESS OTHERWISE SPECIFIED DIMENSIONS ARE IN INCHES TOLERANCES ON				Wallace Cranes MALVERN, PENNSYLVANIA			
FRACTION		DECIMAL		TITLE			
#1/2"		.05"		TRI-ADJUSTABLE GANTRY H.D.			
DRAWN BY J. Finkel		DATE 2-21-17		SCALE		DWG. No.	
CHECKER		APPROVAL		NTS		C	
SYMBOL		DESCRIPTION		DATE		REV.	