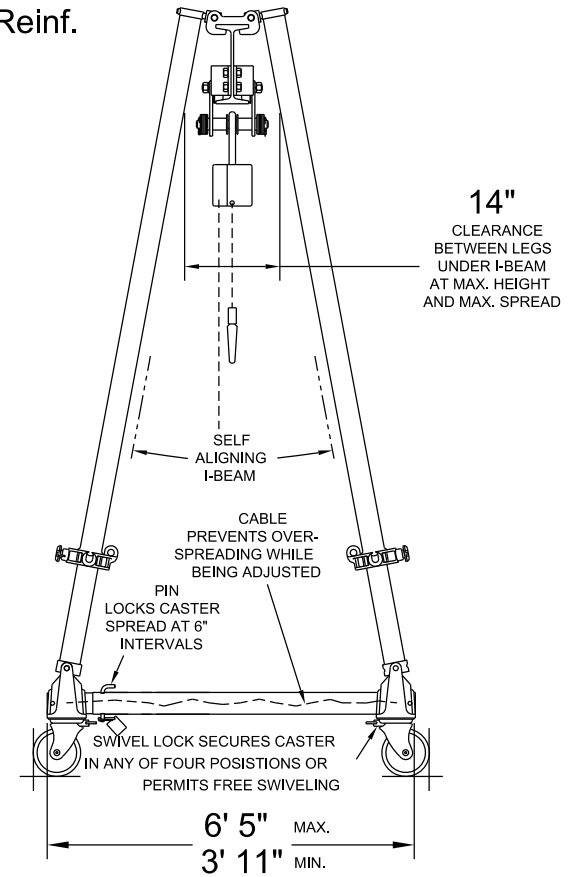


12" Reinf.  
Alu.



Round Tube Aluminum Frames and Aluminum I-Beam

All Dimensions are  $\pm 1/2"$

MODEL No. **A6T10-A15**

© Copyright Wallace Cranes 2017. All rights reserved.



UNLESS OTHERWISE SPECIFIED DIMENSIONS ARE IN INCHES TOLERANCES ON		FRACTION		DECIMAL		TITLE	
		±1/2"		±0.5"		Wallace Cranes MALVERN, PENNSYLVANIA	
DRAWN BY J. Finkel		DATE 2-21-17		TRI-ADJUSTABLE GANTRY H.D.			
CHECKER		APPROVAL		SCALE	WT.	DWG. C SIZE	DRAWING No.
SYMBOL		DESCRIPTION		REVISIONS		NTS	REV.