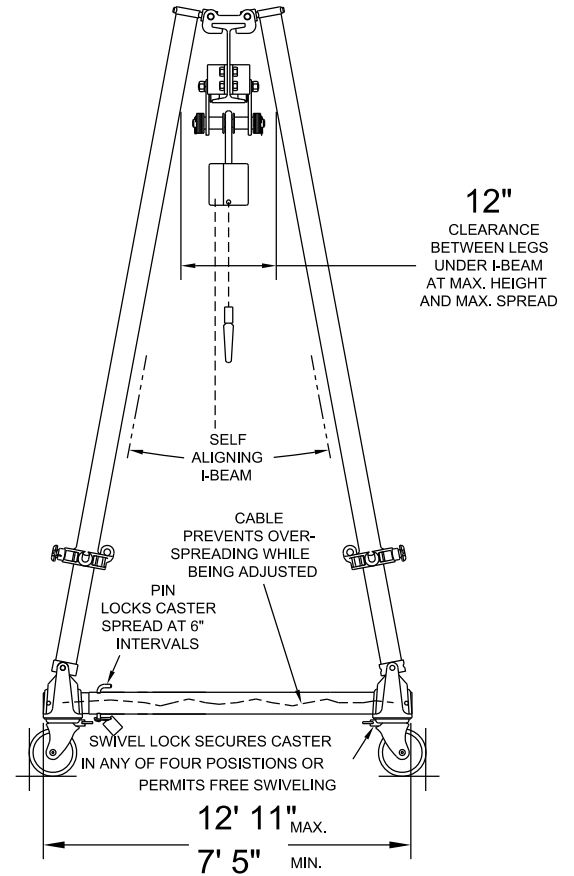


8"
Stl.



Round Tube Steel Frames and Steel I-Beam

All Dimensions are $\pm 1/2$ "

MODEL No. S2T18-S15AC

© Copyright Wallace Cranes 2017. All rights reserved.



UNLESS OTHERWISE SPECIFIED DIMENSIONS ARE IN INCHES TOLERANCES ON				Wallace Cranes MALVERN, PENNSYLVANIA TITLE TRI-ADJUSTABLE GANTRY R.D.				
FRACTION	DECIMAL							
$1/16"$	$0.015"$			SCALE	WT.	DWG C SIZE	DRAWING No.	REV.
DRAWN BY J. Finkel	DATE 2-22-17			NTS				
CHECKER		APPROVAL						
CONVERTED TO CAD DRAWING								
SYM.	DESCRIPTION	DATE	INT.	REVISIONS				