

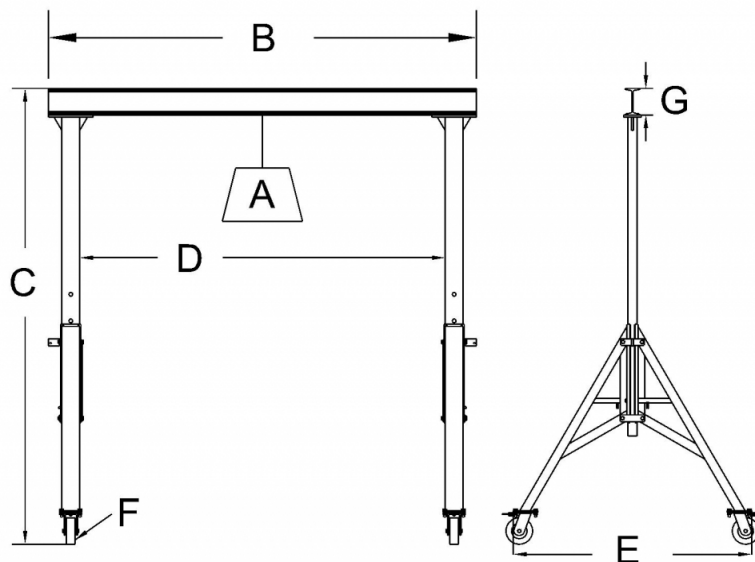


## Wallace 1 to 7.5 Ton Steel Thrifty Adjustable Height Cranes

Wallace portable gantry cranes are ideal for maintenance, manufacturing, repairs, and other material handling tasks. Many customers use our cranes for HVAC, assembly, and repairs of physical equipment. Some of our current users include electric utilities, municipal maintenance (including subways, buses and building facilities), hospitals, universities, research institutions, and the military. Our Thrifty steel cranes are available in adjustable and fixed heights and offer the greatest clear span of any Wallace crane, allowing for flexible lifting solutions. Available accessories include: manual or powered trolleys and hoists, cable ratchet kits (up to 5-ton capacities) for frequent crane height adjustments, and Adjust-a-Span kits (available on I-beams measuring 15' or less). Options for motorizing and track mounting with V-groove casters are available.

### Product Features

- Economical alternative to our Tri-Adjustable Crane
- American Standard Steel I-beam spans from 10' - 35'
- Strong rectangular posts and frames
- Gussets for added strength eliminate the need for brace legs which allows for greater clear span
- Adjustable heights available from 10'2" to 184"
- Adjustable height models permit crane height adjustment at 6" increments
  - Raise height to go over equipment, material, etc...
  - Lower height to go under low ceilings, doorways, etc...
- Adjustable height models have spring loaded bolts that engage quickly
- Casters equipped with 4-position swivel lock that, when locked at 90 degrees, position the crane more firmly than a brake
  - Lock "lead" casters and unlock trailing casters to easily move and steer crane
  - Alternate steel V-groove casters are available for use on angle iron track
- Cable Ratchet Hoist Kit - Available to speed height adjustments on 1-ton through 5-ton adjustable models
- Adjust-a-Span Kit - Allows frame and post assembly to slide along the I-beam (Kit available for spans up to 15'0")



Thrifty Crane Dimensional Sketch - [Click to enlarge](#)

## Crane Sizes and Model Numbers

A	B		C		D	E	F	G	
Capacity	Span	Model Number	Overall Height		Clear Span	Tread	Caster Dia.	I-Beam Depth	Net Wt.
			max	min					
1 Ton	10'	29-10AC	10' 2"	7' 8"	8' 10"	5' 4"	6"	6"	420
		212-10AC	13' 2"	10' 8"	8' 10"	5' 4"	6"	6"	448
	15'	29-15AC	10' 4"	7' 10"	13' 10"	5' 4"	6"	8"	571
		212-15AC	13' 4"	10' 0"	13' 10"	5' 4"	6"	8"	599
	20'	29-20AC	10' 4"	7' 10"	18' 10"	5' 4"	6"	8"	667
		212-20AC	13' 4"	10' 10"	18' 10"	5' 4"	6"	8"	694
	25'	29-25AC	10' 6"	8' 0"	23' 10"	5' 4"	6"	10"	930
		212-25AC	13' 6"	11' 0"	23' 10"	5' 4"	6"	10"	958
2 Ton	10'	412-10AC	13' 6"	10' 0"	8' 8"	6' 6"	8"	8"	797
		415-10AC	16' 6"	13' 0"	8' 8"	6' 6"	8"	8"	853
	15'	412-15AC	13' 8"	10' 2"	13' 6"	6' 6"	8"	10"	1017
		415-15AC	16' 8"	13' 2"	13' 6"	6' 6"	8"	10"	1061
	20'	412-20AC	13' 8"	10' 2"	18' 6"	6' 6"	8"	10"	1144
		415-20AC	16' 8"	13' 2"	18' 6"	6' 6"	8"	10"	1188
	25'	412-25AC	13' 10"	10' 4"	23' 6"	6' 6"	8"	12"	1431
		415-25AC	16' 10"	13' 4"	23' 6"	6' 6"	8"	12"	1475
	30'	412-30AC	14' 1"	10' 7"	28' 6"	6' 6"	8"	15"	1923
		415-30AC	17' 1"	13' 7"	28' 6"	6' 6"	8"	15"	1967
	35'	412-35AC	14' 4"	10' 10"	33' 6"	6' 6"	8"	18"	2556
		415-35AC	17' 4"	13' 10"	33' 6"	6' 6"	8"	18"	2600
3 Ton	10'	612-10AC	13' 8"	10' 2"	8' 6"	6' 6"	8"	10"	936
		615-10AC	16' 8"	13' 2"	8' 6"	6' 6"	8"	10"	998
	15'	612-15AC	13' 8"	10' 2"	13' 6"	6' 6"	8"	10"	1063
		615-15AC	16' 8"	13' 2"	13' 6"	6' 6"	8"	10"	1125
	20'	612-20AC	13' 10"	10' 4"	18' 6"	6' 6"	8"	12"	1318
		615-20AC	16' 10"	13' 4"	18' 6"	6' 6"	8"	12"	1380
	25'	612-25AC	14' 1"	10' 7"	23' 6"	6' 6"	8"	15"	1754
		615-25AC	17' 1"	13' 7"	23' 6"	6' 6"	8"	15"	1816
	30'	612-30AC	14' 4"	10' 10"	28' 6"	6' 6"	8"	18"	2323
		615-30AC	17' 4"	13' 10"	28' 6"	6' 6"	8"	18"	2385
	35'	612-M35AC	14' 6"	11' 0"	33' 6"	6' 6"	8"	18"*	2902
		615-M35AC	17' 6"	14' 0"	33' 6"	6' 6"	8"	18"*	2964

A	B		C		D	E	F	G	
Capacity	Span	Model Number	Overall Height		Clear Span	Tread	Caster Dia.	I-Beam Depth	Net Wt.
			max	min					
<b>5 Ton</b>	10'	<b>1012-10AC</b>	13' 8"	10' 2"	8' 6"	6' 6"	8"	10"	1093
		<b>1015-10AC</b>	16' 8"	13' 2"	8' 6"	6' 6"	8"	10"	1168
	15'	<b>1012-15AC</b>	13' 10"	10' 4"	13' 6"	6' 6"	8"	12"	1316
		<b>1015-15AC</b>	16' 10"	13' 4"	13' 6"	6' 6"	8"	12"	1391
	20'	<b>1012-20AC</b>	14' 1"	10' 7"	18' 6"	6' 6"	8"	15"	1697
		<b>1015-20AC</b>	17' 1"	13' 7"	18' 6"	6' 6"	8"	15"	1772
	25'	<b>1012-25AC</b>	14' 4"	10' 10"	23' 6"	6' 6"	8"	18"	2206
		<b>1015-25AC</b>	17' 4"	13' 10"	23' 6"	6' 6"	8"	18"	2281
	30'	<b>1012-M30AC</b>	14' 6"	11' 0"	28' 6"	6' 6"	8"	18"*	2798
		<b>1015-M30AC</b>	17' 6"	14' 0"	28' 6"	6' 6"	8"	18"*	2873
35'	<b>1012-M35AC</b>	14' 6"	11' 0"	33' 6"	6' 6"	8"	18"*	3400	
	<b>1015-M35AC</b>	17' 6"	14' 0"	33' 6"	6' 6"	8"	18"*	3475	
<b>7.5 Ton</b>	10'	<b>1513-10</b>	14' 1"	10' 7"	8' 6"	6' 6"	10"	12"	1452
		<b>1516-10</b>	17' 1"	13' 7"	8' 6"	6' 6"	10"	12"	1571
	15'	<b>1513-15</b>	14' 4"	10' 10"	13' 6"	6' 6"	10"	15"	1777
		<b>1516-15</b>	17' 4"	13' 10"	13' 6"	6' 6"	10"	15"	1896
	20'	<b>1513-20</b>	14' 7"	11' 1"	18' 6"	6' 6"	10"	18"	2228
		<b>1516-20</b>	17' 7"	14' 1"	18' 6"	6' 6"	10"	18"	2347
	25'	<b>1513-M25</b>	14' 9"	11' 3"	23' 6"	6' 6"	10"	18"*	2788
		<b>1516-M25</b>	17' 9"	14' 3"	23' 6"	6' 6"	10"	18"*	2907
	30'	<b>1513-M30</b>	14' 9"	11' 3"	28' 6"	6' 6"	10"	18"*	3092
		<b>1516-M30</b>	17' 9"	14' 3"	28' 6"	6' 6"	10"	18"*	3212
35'	<b>1513-35</b>	15' 4"	11' 10"	33' 6"	6' 6"	10"	24"*	4379	
	<b>1516-35</b>	18' 4"	14' 10"	33' 6"	6' 6"	10"	24"*	4498	