



Wallace Thrifty Gantry Cranes

Operating, Adjustment, and Inspection Instructions

Read, Understand, and Comply with all instructions supplied with this crane. Also, pay attention to the equipment used with this crane such as hoists, trolleys, power drives (if applicable), etc.

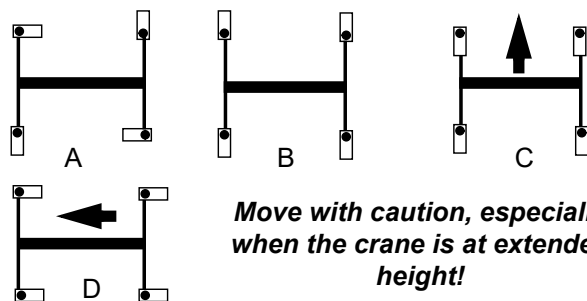
Read, Understand, and Comply with the requirements of OSHA (Occupational Safety, and Health Administration) 1910.179

Inspect Crane Before Moving and/Or Each Day's Use

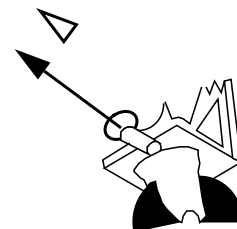
- Center Load under I-Beam before lifting
- When moving crane under load, position load at center of the I-Beam.
- Use crane at lowest height possible, to lower center of gravity.
- DO NOT lift or support humans.
- DO NOT allow load to swing or roll against any supporting members.
- DO NOT TOW or Pull Crane.
- DO NOT OVERLOAD CRANE.
 - A. Do not lift loads that are heavier than the rated capacity of the crane.
 - B. Make certain the load is free to be lifted.

Positioning of Casters

- A. To secure crane position while lifting load, lock diagonally opposite casters as shown.
- B. To utilize maximum crane strength, lock casters as shown.
- C. To move crane and/or load perpendicular to I-beam, lock casters as shown or allow casters to pivot freely.
- D. To move crane and/or load parallel to I-beam, lock casters as shown or allow casters to pivot freely.



Pull out and turn pin as necessary to provide a locked or unlocked caster position, then release pin.



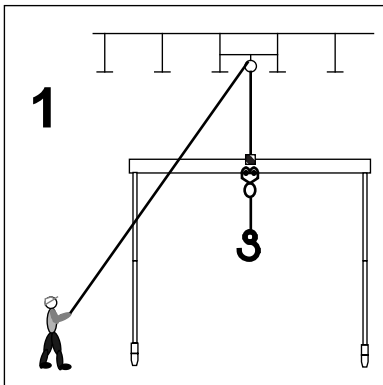
Wallace Thrifty Gantry Cranes

General Safety Instructions for Crane Adjustments and Use

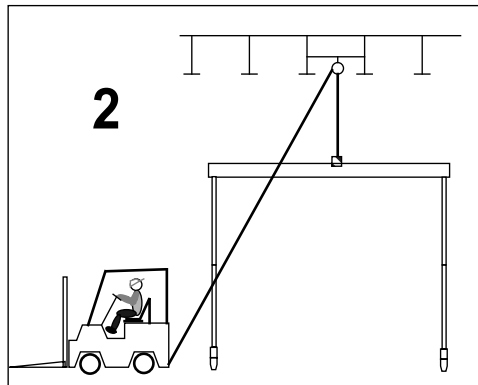
- **Adjustments** and/or repairs should be made in an area where they will have the least interference with ongoing operations.
- **Do Not** make adjustments when the crane is under load. If crane is in operation, lower and disconnect the load before making any adjustments.
- **Secure Trolley and Hoist** to prevent movement during adjustment of crane.
- **Do Not Adjust** any one leg (or end) more than one foot above or below the other legs (or end), as it could cause the crane to “topple” and result in injury and/or equipment damage.
- **Rated load** capacity is plainly marked on each side of I-beam. Each hoisting unit shall have its rated load clearly marked and shall be legible from ground or floor.
- **Form 1004** (This Form) attached in convenient location by user.
- **Make certain** that all Warning or Caution labels are in place and legible. Replacements for damaged or missing labels upon request.

Methods of Supporting Crane for Assembly

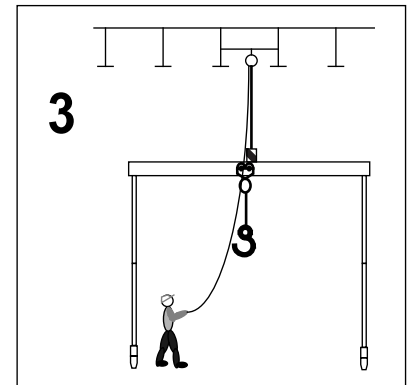
DO NOT ASSEMBLE OR DISASSEMBLE OR MAKE ANY ADJUSTMENTS TO CRANE
UNTIL the unit is supported by one of the three methods illustrated below.



1 Use a Block and Tackle with cable winch with lifting bracket or beam clamp



2 Use a block and tackle with lifting bracket or beam clamp with a suitable truck.



3 Use a hand or electric hoist with a lifting bracket or beam clamp.